

## ECON plus 500

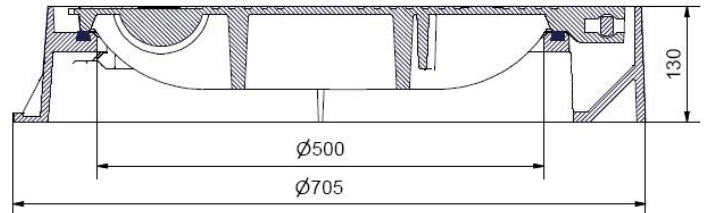
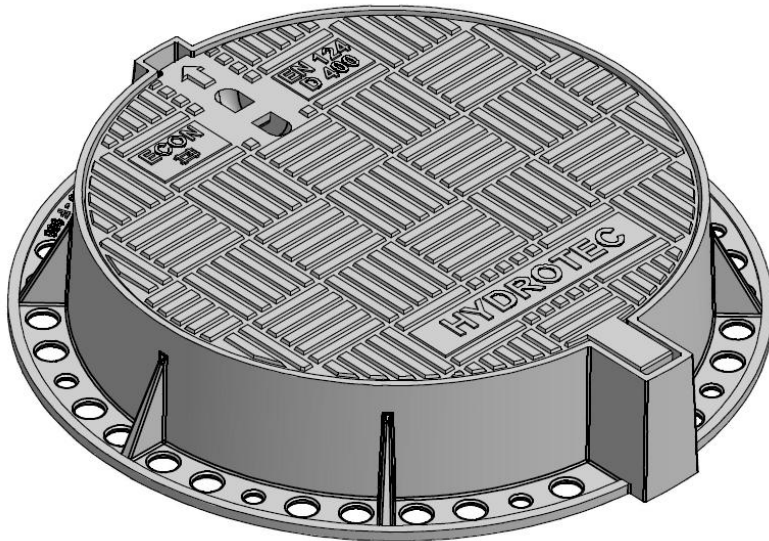


ISO 9001-2000

Norm  
Standard  
**DIN  
EN124**



Klasse  
Class  
**D400**



### Locking

- innovative automatic closing system with 2 bars
- hinders unauthorised opening = anti-theft
- through the positioning of the locking points the cover is centred in the frame and is frictionally locked

### Hinge

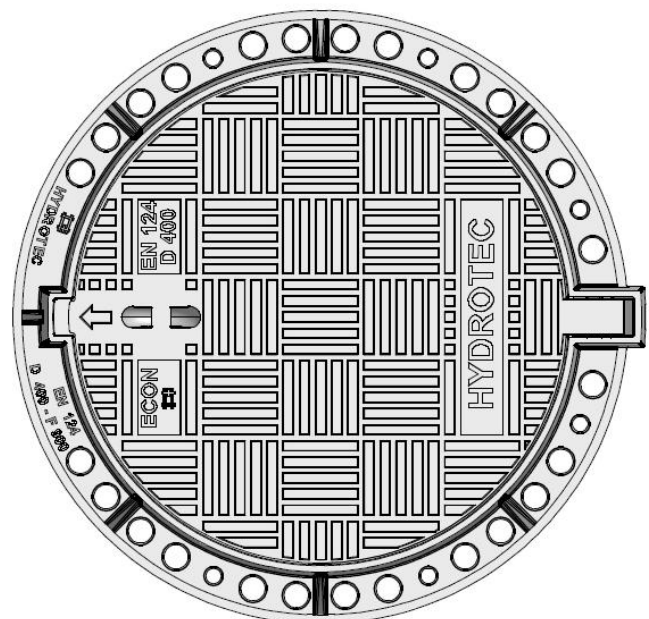
- simple ergonomic opening of the cover
- 120° position of inspection, 90° lifting position and blocking against unintentional closing of the cover

### Insert

- changeable dampening insert "HYDROprene" / Polychloroprene according to DIN 53505 standard
- long life, high abrasion stability for extreme loads

### Cover

- "criss-cross" design with optimal slide safety



Änderungen vorbehalten!