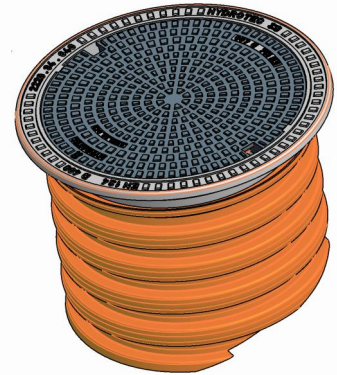


SCANDIC SN 600



ISO 9001-2000



SCANDIC SN 600

The intelligent solution of self-levelling frames.

Loading class D400 for use on carriageways of roads for all types of road vehicles.

Locking

- innovative automatic 2 point spring loaded locking system
- hinders unauthorised opening = anti-theft
- through the positioning of the locking points the cover is centred in the frame and is frictionally locked

Frame

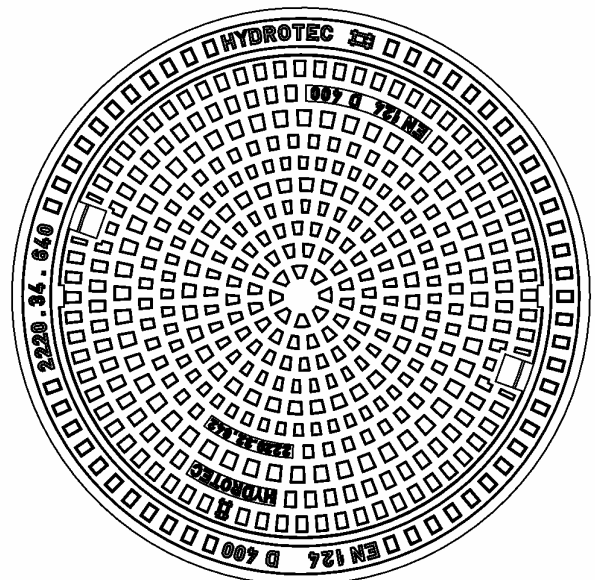
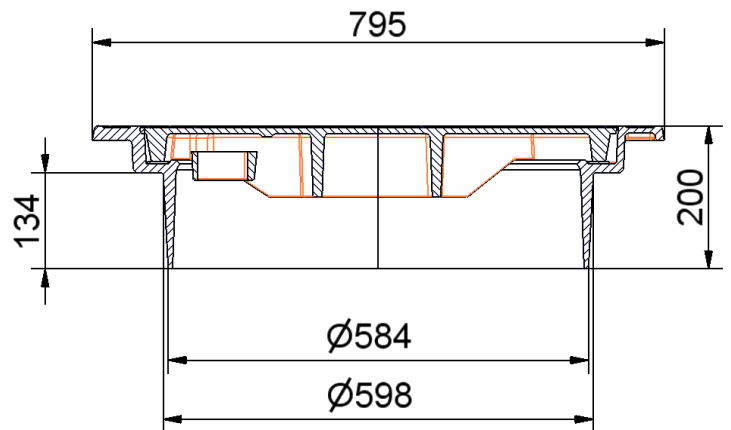
- self-levelling / roll-in frame
- becomes an integrated part of the road surface
- relief on the shaft of up to 70%
- suitable for shafts of dia. 600mm

Insert

- changeable dampening insert "HYDROprene" / Polychloroprene according to DIN 53505 standard
- long life, high abrasion stability for extreme loads

Options

- SCANDIC SN 700
- SCANDIC SN 800
- Inlet grating SCANDIC SN 600 / 700



Änderungen vorbehalten! / subject to alterations in measurement and design.

Referenz
Reference

894 126

Klasse
Class

D 400

Material
Weight

EN-GJS-500-7

Gewicht
Weight

ca. 100 kg

SA-0492-KA

HYDROTEC Technologies · Duingstruper Straße 46 · D-27793 Wildeshausen · Germany

Fon: 0049.4431.93550 · Fax: 0049.4431.935522

Internet: www.hydrotec.com · Email: info@hydrotec.com

Schutzvermerk nach DIN 34 beachten!